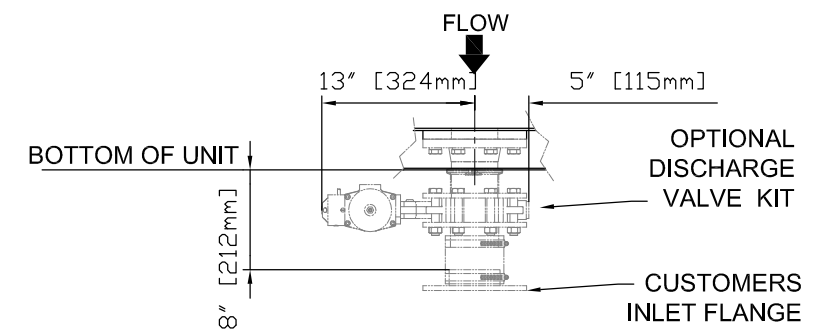
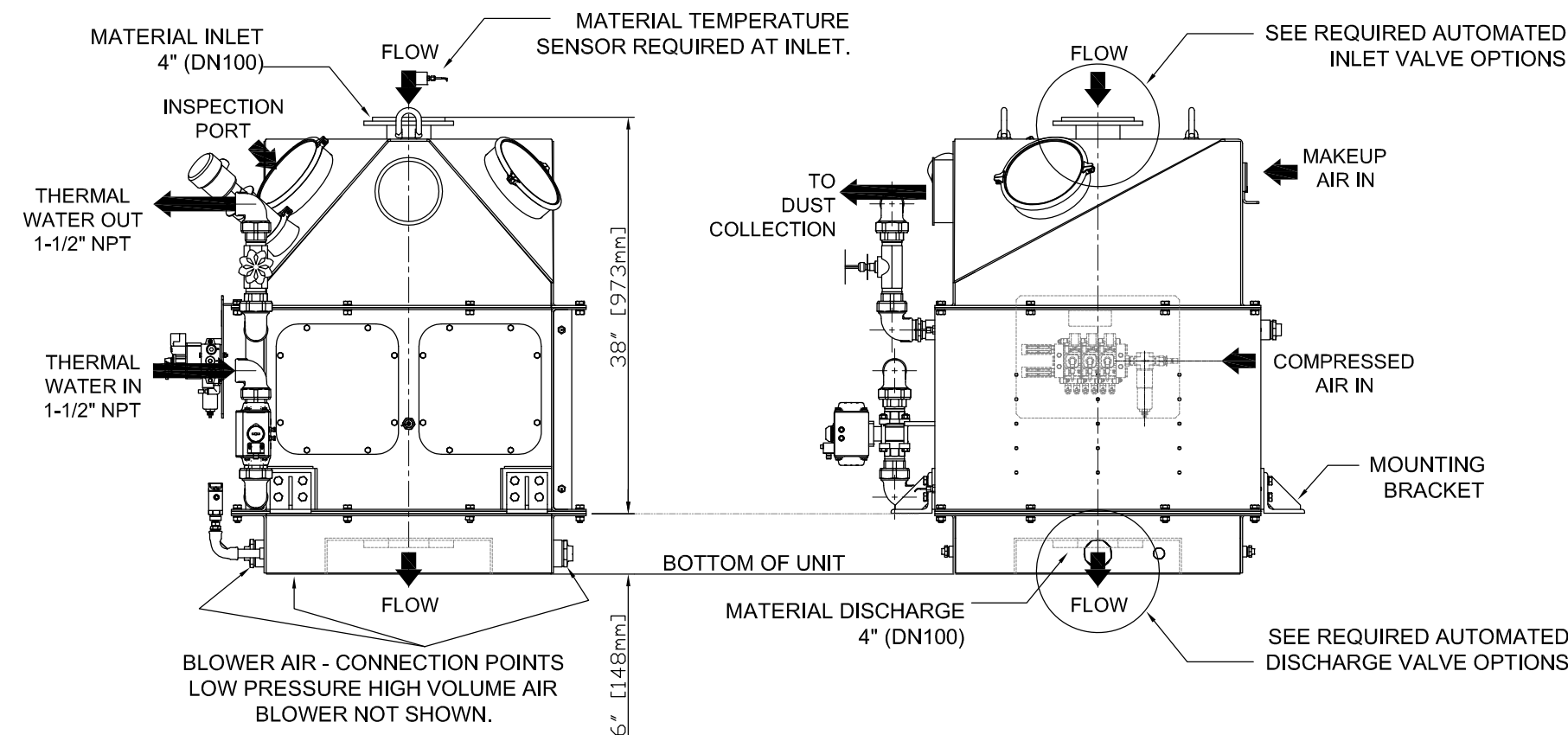


INLET VALVE OPTIONS
 AN AUTOMATED AIR TIGHT INLET VALVE IS REQUIRED FOR THE CST UNIT, TYPICALLY SUPPLIED BY KLEIN.



DISCHARGE VALVE OPTIONS
 AN AUTOMATED AIR TIGHT DISCHARGE VALVE IS REQUIRED FOR THE CST UNIT TYPICALLY SUPPLIED BY KLEIN.

- NOTE:**
- 1) PRODUCTION SAND CAPACITY - UP TO 4 TON/HR FINAL CAPACITY IS BASED ON PRODUCT OUTLET TEMPERATURE, THERMAL WATER INLET TEMPERATURE AVAILABLE AT THE CUSTOMERS FACILITY AND THERMAL WATER FLOW RATE AVAILABLE.
 - 2) A LOW PRESSURE VARIABLE HIGH VOLUME AIR BLOWER WITH VFD IS REQUIRED FOR PROPER UNIT OPERATION.

THIS DRAWING IS THE PROPERTY OF ALB. KLEIN TECHNOLOGY GROUP, INC., AND MUST BE RETURNED UPON DEMAND. INFORMATION DISCLOSED HEREON IS CONFIDENTIAL AND MAY NOT BE USED NOR DIVULGED WITHOUT OUR WRITTEN PERMISSION.

CST SAND CONDITIONER CST 120

PROJECT: -
 UCN: -
 ASSEMBLY: -
 DATE: 08/22/16



PROCESS EQUIPMENT AND TECHNOLOGY
 PLAIN CITY, OHIO

DWG. NO. **P1150105**

SHEET - REV. -

REV	DESCRIPTION	DATE	DRAWN

SCALE: NTS	DRAWN: AKC	DATE: 08/22/16	APVD: JRG
------------	------------	----------------	-----------